

Tips to Selecting The Right Screen

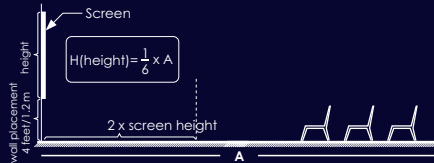
1. Screen Type

If you're selecting a manual projection screen, this brochure will help you to select from portable, wall & ceiling mounted manual or motorized model.

Generally, if your projector application is permanent, wall or ceiling screen is the best choice. If you will be moving the screen to different locations, a portable screen is the better choice.

2. Screen Size

Here are the most important decisions in the screen selection are to determine the correct size of screen based on upon :



- To optimize legibility and detail, screen height should be approximately 1/6 the distance from the screen to the last row of seats.
- Audience: For ideal viewing, the first row of seats should be two screen heights from the screen.
- Wall Placement: The bottom of the screen should be at least four feet above the audience floor, allowing those seated in the rear to see the screen. This may require additional screen drop for ceiling-hung screens. Screen drops, extra fabric added to the top or bottom of the screen is available in the black or white.
- How to calculate the screen size :

NTSC (1.33)	HDTV (1.78)	Letterbox (1.85)
D / 1.667 = H	D x 0.49091 = H	D x 0.4762 = H
H x 1.33 = W	D x 0.87247 = W	D x 0.88 = W
W / 1.33 = H	H x 2.0395 = D	H x 2.10 = D
H x 1.667 = D	W x 1.14585 = D	W x 1.135 = D
D x 0.80 = W	H x 1.78 = W	H x 1.85 = W
	W x 0.561837 = H	W x 0.5405 = H

H : Height, W : Width, D : Diagonal

3. Screen Format

Most models of Microvision are offered in square and NTSC video format.

- Square format screens accommodate a variety of projector types.
- NTSC video format (3 high by 4 wide) is specifically designed for use with video/data projectors.
- HDTV format (9 high by 16 wide) is designed for high definition television projection.
- Wide screen format is suitable for letterbox video images.

4. Screen Fabric

Choose the screen surface that best suits your projection and viewing requirements.

a. Microvision Matte White



b. Microvision Glass Beaded



c. Microvision Grey Matte White



d. Microvision Grey Glass Beaded



e. Microvision White Vinyl Screen



f. Microvision Grey Vinyl Screen



- Screen surface can be cleaned
- Flame retardant
- Mildew resistant
- High contrast
- Number shows the optimal width of the ideal viewing half angle
- Indicates Gonio-photometer reflectance reading. The higher number, the greater light transmitted to the audience



The Best Choice for Your Projection

Microvision screen is always ready to support you doing your task.

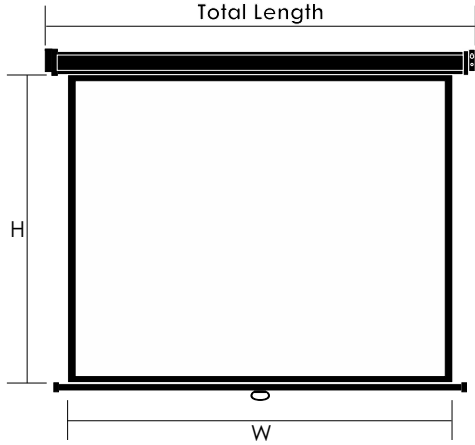
- Home Theater
- Class Room
- Meeting Room
- Auditorium
- Public Area
- Conference Room



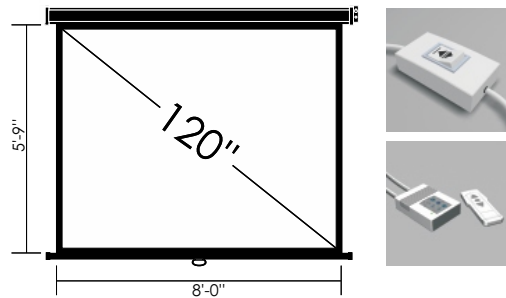
contact us :

1 MOTORIZED WALL SCREEN

Professional and excellent usage



4:3 Standard Definition



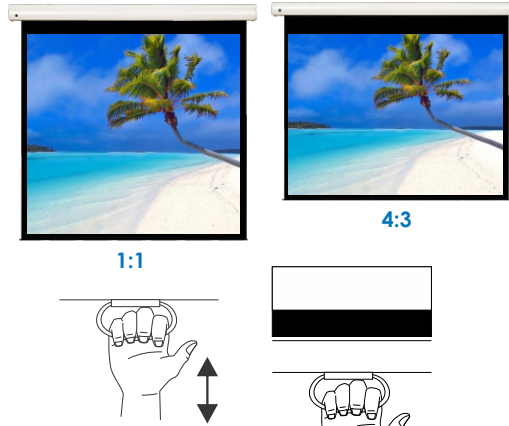
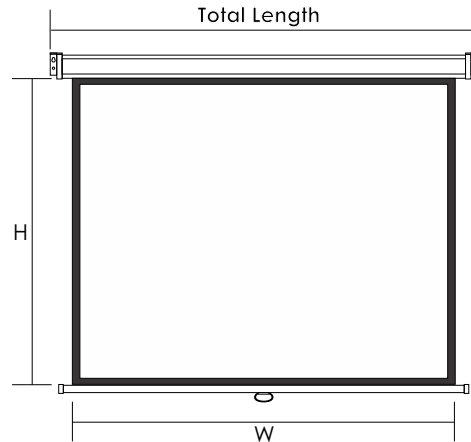
- Professional! Charming!! Those words are appropriate to express what you present using excellent motorized
- Microvision screen.
- Motorized roller system offer you a reliable screen opera a switch, a remote control, and a projector screen trigger.

Specification :

Diagonal Size	Screen Size (H X W)		Total Length (cm)	Weight (kg)	
	inch	cm		Gross	Net
Format 1 : 1					
98	249	70 x 70	178 x 178	191.5	10 9
119	303	84 x 84	213 x 213	224.5	11 9.5
136	345	96 x 96	244 x 244	255.5	16 13
170	432	120 x 120	300x 300	316.5	22 19
204	518	144 x 144	366 x 366	397	31 29
Format 4 : 3					
100	254	60 x 80	153 x 203	214.5	9.5 9
120	305	72 x 96	183 x 244	255.5	15 12
150	381	90 x 120	229 x 305	316.5	20 17
180	457	108 x 144	274 x 366	397	28 26
200	508	120 x 160	305 x 406	437.5	35 31
300	762	180 x 240	457 x 610	619.5	75 65

2 MANUAL WALL SCREEN

Durable construct wall or ceiling mount



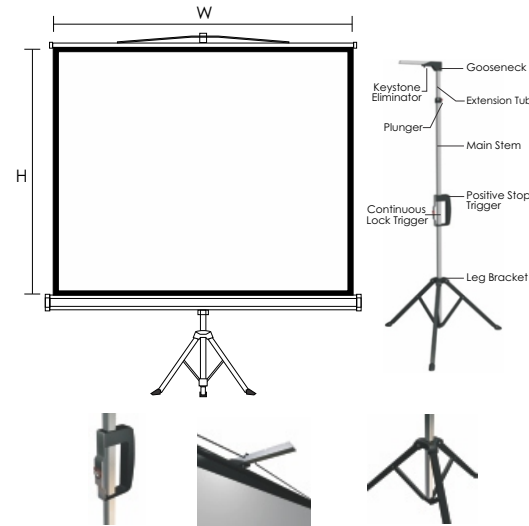
- Provide a great performance and operation easily.
- Suitable for class room, meeting room, conference room, etc.
- Special design for easy pull down/up with Self Lock Controller (SLC).

Specification :

Diagonal Size	Screen Size (H X W)		Total Length (cm)	Weight (kg)	
	inch	cm		Gross	Net
Format 1 : 1					
70	178	50 x 50	127 x 127	140	5 4.5
84	213	60 x 60	153 x 153	158	5.5 5
98	249	70 x 70	178 x 178	186	6.5 6
119	303	84 x 84	213 x 213	228	9.5 8.5
136	345	96 x 96	244 x 244	258	11.6 10.6
170	432	120 x 120	305 x 305	316.5	24 23
Format 4 : 3					
100	254	60 x 80	153 x 203	214.5	8 6.5
120	305	72 x 96	183 x 244	255.5	9.9 8.5
150	381	90 x 120	229 x 305	316.5	17.7 16

3 TRIPOD SCREEN

Modern and easy setup



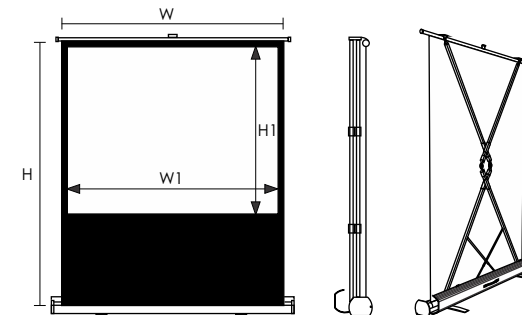
- Adjustable screen height both top and bottom which enable you to fit between the screen and the projector.
- Made using high quality materials which are durable for daily usage.
- Modern design, steady tripod with an octagonal steel end cap.

Specification :

Diagonal Size	Screen Size (H X W)		Total Length (cm)	Weight (kg)	
	inch	cm		Gross	Net
Format 1 : 1					
84	213	60 x 60	153 x 153	158	6.2 5.6
98	249	70 x 70	178 x 178	186	7.1 6.1
119	303	84 x 84	213 x 213	228	11.6 10
136	345	96 x 96	244 x 244	258	15.8 12

4 PORTABLE SCREEN

Easy and fast setup



- Lightweight and self-standing, easy to carry anywhere.
- Unique feature of a pneumatic scissors mechanism for raising and lowering the screen surface.
- Perfect for travelling or mobile usage.

Specification :

Diagonal Size	Screen Size (H X W)		Viewing Are (H1XW1)		Weight (kg)	
	inch	cm	inch	cm	Gross	Net
Format 4 : 3						
60	152	78 x 51	200 x 130	35.7 x 47.6	91.5 x 122	14 12
80	203	78 x 66	200 x 170	47.4 x 63	121.5 x 162	16 14

5 FAST FOLD SCREEN

Dynamic and lightweight



- Microvision fast fold screen is suitable for big shows, movie shows and great events.
- Microvision fastfold is easily set up without any tools for the customers' ultimate convenience.
- Accompanied by lock and load latch which is designed for ease operation and maximum life, the screen frame is extremely rigid and hard to be dislodged.
- The advantages of the components are the Anti-Sway Stabilizer which adds the stability of the screen left to right and super rigid T-Legs and heavy duty legs has helped to support the screen in a vertical position.
- This heavy duty legs is also to offer extra stability and keystone elimination.
- By these all advantages, Microvision fast fold screen is very solid in use and rigor in withstand to support the show.

Specification :

Diagonal Size (cm)	Viewing Size (cm)	Package Size (mm) / Aluminium Case	Gross Weight (kg)	Net Weight (kg)
153x203cm (100")	133*183	1190 340 490	40.8	38
183x244cm (120")	163*224	1410 340 490	46.5	44.5
229x305cm (150")	209*285	1345 355 560	53	50
274x336cm (180")	245*346	1140 475 580	60	58
305x406cm (200")	285*386	1250 460 620	70	68
460x610cm (300")	457*609	1650 500 500	160	130